

					.% 8	.% 8	.% 8	.% 8	.% 8
'HYLFH PDUNLQJ FRGH			.% 8	.% 8	.% 8	.% 8	.% 8	.% 8	.% 8
0D[LPXP 5HSHWLWLYH 3HDN 5H5H0 VH9R OWDJH									
0D[LPXP 506 9ROWDJH	9506	9							
0D[LPXP '& EORFNLQJ 9ROWDJH9'&		9							

\$YHUDJH 5HFWLILHG 2XWSXW
&XUUHQW
+] VLQH ZDYH 5 ORDG

)RUZDUG 6XUJH &XUUHQW 1RQ UHSHHWLWLYH			
# PV VTXDUH ZDYH - F\FOH 7M			
&XUUHQW 6TXDUHG 7LPH # PV "W" PV	,W	\$ 6	
7M - 5DWLQJ RI SHU GLRGH			
0RXQWLQJ WRUTXH	7RU	NJ	FP
#5HFRPPHQG ÖWRUTXH			
6WRUDJH WHPSHUDWXUH	7VWJ	-	a
-XQFWLRQ WHPSHUDWXUH	7M	-	a



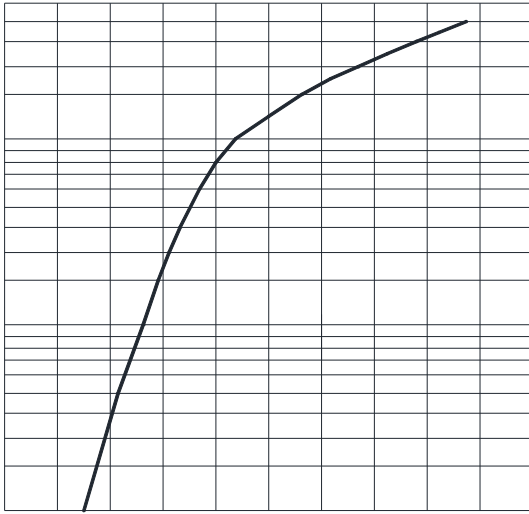
.% 8 7 + 5 8 .% 8

v(OHFWULFDO &KÄVDFWHQLOVWVFRWKHUÄLVH VSHFLILHG

3\$5\$0(7(5 6<0%2 81,7 7(67 &21',7,2

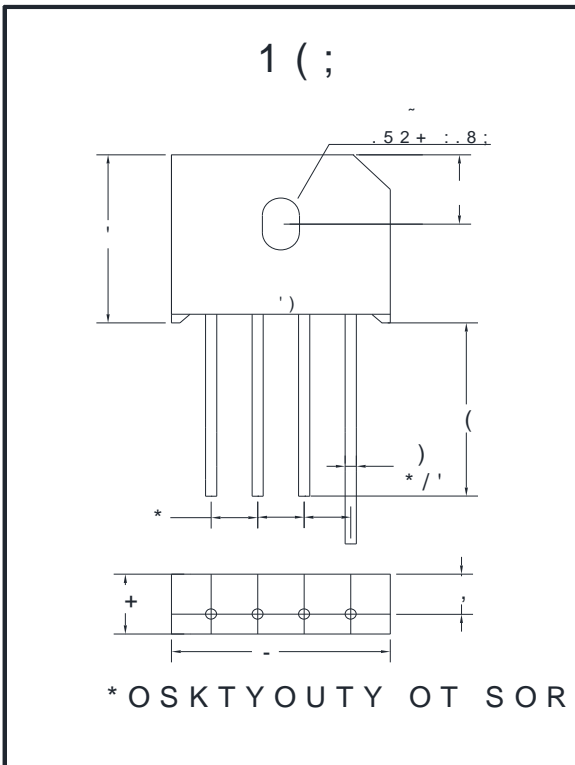
,QVWDQWDQHRXV)RUZDUG 9ROWDJH & XUJHQW \$

),* 7\SLFDO)RUZDUG 9ROWDJH



,QVWDQWDQHRXV)RUZDUG 9ROWDJH 9

V 2XWOLQH 'LPHQVLRQV



.% 8		
'LP	0LQ	0D
\$		
%		
&		
'		
(
)		
*		



. % 8 7 + 5 8 . % 8

'LVFODLPHU

7KH LQIRUPDWLRQ V GHVFHQWV LQ WKH UDQGHU JKRQF HDUHQW ZH FKHFOVRUR QLF /VHG UHV
ULJKW WR PDNLHWKRXW IRU VSHFIRU RYVSLRQG FFWV GLV SFOARIGHKUHUGLDEWGLV L JQQ F
RU RWKHU ZLVH

7KH SURGXFW OLVGHG IJHGH WR EH HXWGHG ZLWK RUGXQSRHQW RU GHYLFHW KDQG Q
HTXLSPHQW RU GHYLFHV ZKLFK UHTXLW KHKE DO IOZLVWOL RQXIDHGGEDHGHWOK DFKQ DOVLIH
PHGLFDO LQVWUXPHV RYVWHQWLRQ HURXLSHGH QDFKHOD U UHDFWRHU FFRQWURROOHVV DQ
GHYLFHV <DQJMLHVRV DFKBQH DQVXPLV QR RWHO SRELVQIEW HVRO VDIQQ JGIDRPPXMF K LP
RI VDOH

7KLV SXEOLFDFWRQ SVXSHUW DGHVLQURQV D XLSRQ LSGHYRUR XDG GLWLRQ DO LQWRUPDWLR
KWVZ \DQJMLHRFRFRQVXOW \RXU QH DUHVW <DQJMLVH VQVDFH OHV RILFH IRU IXUW